



HAZARDOUS LOCATIONS

EXPLOSIONPROOF AIR DIFFERENTIAL PRESSURE SWITCH 1950G SERIES

DESCRIPTION

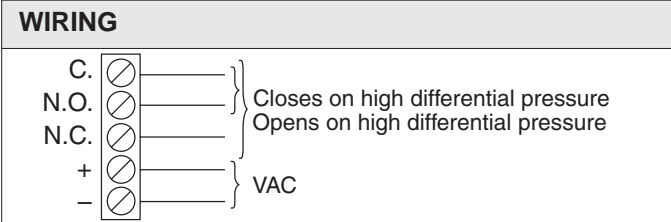
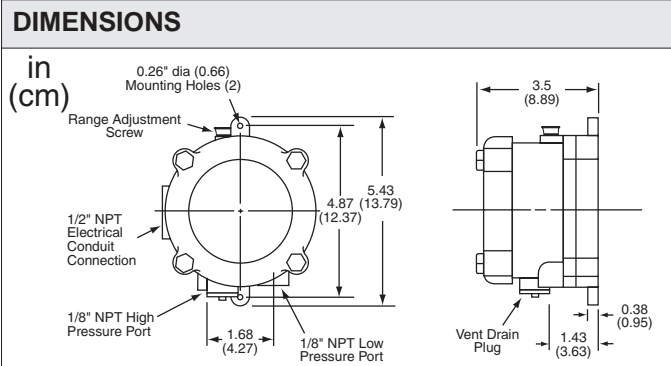
The **1950G Series Explosionproof Air Differential Pressure Switch** monitors differential air pressure in a hazardous environment. The **1950G Series** has an external screw-type setpoint adjustment and a NEMA 7- and 9-rated enclosure. The enclosure is anodized cast aluminum with explosionproof rating for Class I, Division 1, Groups A, B, C, D; Class II, Division 1, Groups E, F, G; and Class III. The optional Model A-602 pressure probe kit allows the **1950G Series** to monitor filter pressure drop.

FEATURES

- **Class I, Division 1, Groups A, B, C, D;**
Class II, Division 1, Groups E, F, G; Class III
- **Ranges from 0.07" to 20" W.C. (17.4 to 4981 Pa)**
- **Adjustable setpoint within range**
- **SPDT 10A contacts**



SPECIFICATIONS	
Ambient	0° to 140°F (-18° to 60°C)
Burst pressure	10 psig (69 kPa)
Power supply	24 VAC, 120 VAC, 240 VAC, 5 VA
Switch	SPDT, 10A @ 240 VAC/28 VDC
Connections	1/8" NPT
Diaphragm	Buna-N
Classifications	Class I, Division 1, Groups A, B, C, D Class II, Division 1, Groups E, F, G Class III
Agency	UL, FM, CSA, CE, ATEX
Weight	3.5 lb (1.6 kg)



CAUTION: Conduit seal **MUST** be installed within code-required distance from DP switch to maintain explosionproof rating.

ORDERING INFORMATION

MODEL	DESCRIPTION																																								
1950G	Explosionproof air differential pressure switch																																								
	<table border="1"> <thead> <tr> <th>RANGE</th> <th colspan="2">OPERATING RANGE</th> <th colspan="2">APPROXIMATE DEADBAND "W.C. (Pa)</th> </tr> <tr> <td></td> <th>"W.C.</th> <th>Pa</th> <th>At Min Setpoint</th> <th>At Max Setpoint</th> </tr> </thead> <tbody> <tr> <td>00</td> <td>0.07-0.15</td> <td>17.4-37.3</td> <td>0.04 (10)</td> <td>0.06 (14.9)</td> </tr> <tr> <td>0</td> <td>0.15-0.5</td> <td>37.3-124.5</td> <td>0.06 (14.9)</td> <td>0.11 (27.4)</td> </tr> <tr> <td>1</td> <td>0.4-1.6</td> <td>99.6-398.5</td> <td>0.11 (27.4)</td> <td>0.29 (72.2)</td> </tr> <tr> <td>5</td> <td>1.4-5.5</td> <td>348.7-1370</td> <td>0.4 (99.6)</td> <td>0.9 (224)</td> </tr> <tr> <td>10</td> <td>3.0-11.0</td> <td>747.2-2740</td> <td>0.9 (224)</td> <td>1.8 (448)</td> </tr> <tr> <td>20</td> <td>4.0-20</td> <td>996-4981</td> <td>1.2 (299)</td> <td>3.0 (747)</td> </tr> </tbody> </table>	RANGE	OPERATING RANGE		APPROXIMATE DEADBAND "W.C. (Pa)			"W.C.	Pa	At Min Setpoint	At Max Setpoint	00	0.07-0.15	17.4-37.3	0.04 (10)	0.06 (14.9)	0	0.15-0.5	37.3-124.5	0.06 (14.9)	0.11 (27.4)	1	0.4-1.6	99.6-398.5	0.11 (27.4)	0.29 (72.2)	5	1.4-5.5	348.7-1370	0.4 (99.6)	0.9 (224)	10	3.0-11.0	747.2-2740	0.9 (224)	1.8 (448)	20	4.0-20	996-4981	1.2 (299)	3.0 (747)
RANGE	OPERATING RANGE		APPROXIMATE DEADBAND "W.C. (Pa)																																						
	"W.C.	Pa	At Min Setpoint	At Max Setpoint																																					
00	0.07-0.15	17.4-37.3	0.04 (10)	0.06 (14.9)																																					
0	0.15-0.5	37.3-124.5	0.06 (14.9)	0.11 (27.4)																																					
1	0.4-1.6	99.6-398.5	0.11 (27.4)	0.29 (72.2)																																					
5	1.4-5.5	348.7-1370	0.4 (99.6)	0.9 (224)																																					
10	3.0-11.0	747.2-2740	0.9 (224)	1.8 (448)																																					
20	4.0-20	996-4981	1.2 (299)	3.0 (747)																																					
	<table border="1"> <thead> <tr> <th colspan="2">SUPPLY VOLTAGE</th> </tr> </thead> <tbody> <tr> <td>B-24</td> <td>24 VDC</td> </tr> <tr> <td>B-120</td> <td>120 VAC</td> </tr> <tr> <td>B-240</td> <td>240 VAC</td> </tr> </tbody> </table>	SUPPLY VOLTAGE		B-24	24 VDC	B-120	120 VAC	B-240	240 VAC																																
SUPPLY VOLTAGE																																									
B-24	24 VDC																																								
B-120	120 VAC																																								
B-240	240 VAC																																								

1950G - 1 - B-120 Example: 1950G-1-B-120 0.4-1.6" W.C., explosionproof air differential pressure switch with 120 VAC supply voltage

- RELATED PRODUCTS**
- EYM-50 1/2" sealing fitting for rigid conduit
 - ACK-6F Sealing kit with fiber and cement
 - A-602 Dual probe duct pressure sampling kit

HAZARDOUS LOCATIONS