



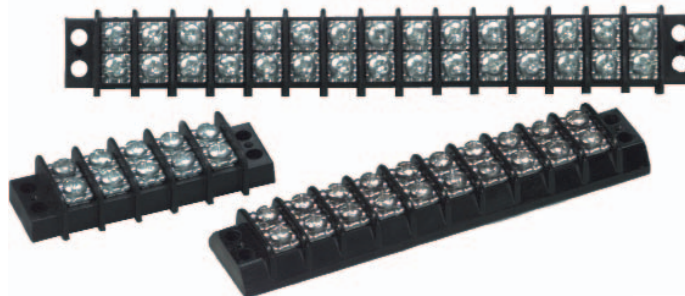
DOUBLE ROW TERMINAL BLOCKS 100 SERIES

DESCRIPTION

100 Series Double Row Terminal Blocks are designed for electrical and electronic termination of wire, with or without the use of a terminal connector, for low voltage and amperage requirements. These double row terminal blocks provide an insulation barrier between circuits to prevent short circuits in factory or field wiring applications.

FEATURES

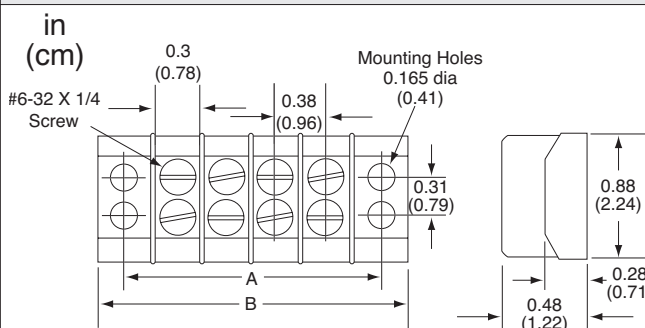
- *Closed-back design*
- *Insulation barrier between poles*
- *Multiple pole arrangements*
- *Easy to install*
- *Surface mounted*



SPECIFICATIONS

Rated voltage	250V
Rated current	15A
Rated wire size	22-14 AWG
Construction	Thermoplastic base, plated brass terminals with Sems pressure saddle screws
Spacing	3/8" centers
Approvals	UL recognized component, File #E47811; CSA certified, File #LR19766

DIMENSIONS



NO. OF POLES	DIMENSIONS in (cm)	
	A	B
5	2.25 (5.72)	2.53 (6.43)
10	4.12 (10.46)	4.41 (11.20)
15	6.00 (15.24)	6.28 (15.95)
20	7.88 (20.02)	8.16 (20.73)
25	9.75 (24.77)	10.03 (25.48)
30	11.62 (29.51)	11.91 (30.25)

ORDERING INFORMATION

MODEL	DESCRIPTION
105SP	Double Row Terminal Blocks, 5 Poles
110SP	Double Row Terminal Blocks, 10 Poles
115SP	Double Row Terminal Blocks, 15 Poles
120SP	Double Row Terminal Blocks, 20 Poles
125SP	Double Row Terminal Blocks, 25 Poles
130SP	Double Row Terminal Blocks, 30 Poles

RELATED PRODUCTS
JSPS 10-pole jumper strip