



# HAZARDOUS LOCATIONS

## EXPLOSIONPROOF AIR DIFFERENTIAL PRESSURE SWITCH 1950G SERIES

### DESCRIPTION

The **1950G Series Explosionproof Air Differential Pressure Switch** monitors differential air pressure in a hazardous environment. The **1950G Series** has an external screw-type set point adjustment and a NEMA 7 and 9 rated enclosure. The enclosure is anodized cast aluminum with explosionproof rating for Class I, Division 1, Groups A, B, C, D and Class II, Division 1, Groups E, F, G. The optional Model A-602 pressure probe kit allows the **1950G Series** to monitor filter pressure drop.



### FEATURES

- **Class I, Division 1, Groups A, B, C, D;**  
**Class II, Division 1, Groups E, F, G**
- **Ranges from 0.07" to 20" W.C. (17.4 to 4981 Pa)**
- **Adjustable set point within range**
- **SPDT 10A contacts**

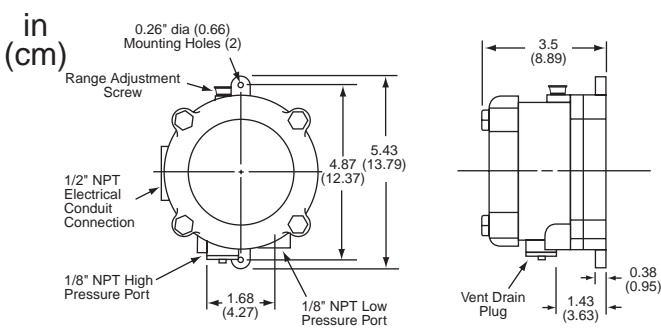
**CAUTION:** Conduit seal **MUST** be installed within code-required distance from DP switch to maintain explosionproof rating.

### SPECIFICATIONS

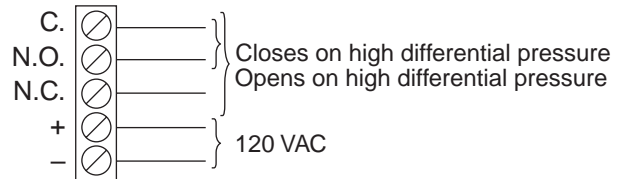
**Ambient** 0° to 140°F (-18° to 60°C)  
**Burst pressure** 10 psig (69 kPa)  
**Power supply** 40 mA max @ 120 VAC  
**Switch** SPDT, 10A @ 240 VAC/28 VDC  
**Connections** 1/8" NPT

**Diaphragm** Buna-N  
**Classifications** Class I, Division 1, Groups A, B, C, D  
 Class II, Division 1, Groups E, F, G  
**Agency** UL listed, FM, CSA  
**Weight** 3.5 lb (1.6 kg)

### DIMENSIONS



### WIRING



### ORDERING INFORMATION

MODEL	OPERATING RANGE		APPROXIMATE DEAD BAND "W.C. (Pa)	
	"W.C.	Pa	At Min Set Point	At Max Set Point
1950G-00	0.07-0.15	17.4-37.3	0.04 (10)	0.06 (14.9)
1950G-0	0.15-0.5	37.3-124.5	0.06 (14.9)	0.11 (27.4)
1950G-1	0.4-1.6	99.6-398.5	0.11 (27.4)	0.29 (72.2)
1950G-5	1.4-5.5	348.7-1370	0.4 (99.6)	0.9 (224)
1950G-10	3.0-11.0	747.2-2740	0.9 (224)	1.8 (448)
1950G-20	4.0-20	996-4981	1.2 (299)	3.0 (747)

### RELATED PRODUCTS

- EYM-50** 1/2" Sealing fitting for rigid conduit
- ACK-6F** Sealing kit with fiber and cement
- A-602** Dual probe duct pressure sampling kit