

HAZARDOUS LOCATIONS



EXPLOSIONPROOF AIR DIFFERENTIAL PRESSURE SWITCH 1950G SERIES

DESCRIPTION

The **1950G Series Explosionproof Air Differential Pressure Switch** monitors differential air pressure in a hazardous environment. The **1950G Series** has an external screw-type set point adjustment and a NEMA 7 and 9 rated enclosure. The enclosure is anodized cast aluminum with explosionproof rating for Class I, Division 1, Groups A, B, C, D and Class II, Division 1, Groups E, F, G. The optional Model A-602 pressure probe kit allows the **1950G Series** to monitor filter pressure drop.

FEATURES

- **Class I, Division 1, Groups A, B, C, D;**
Class II, Division 1, Groups E, F, G
- **Ranges from 0.07" to 20" W.C. (17.4 to 4981 Pa)**
- **Adjustable set point within range**
- **SPDT 10A contacts**



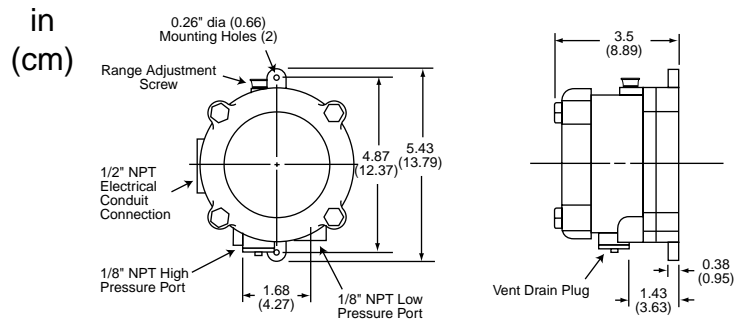
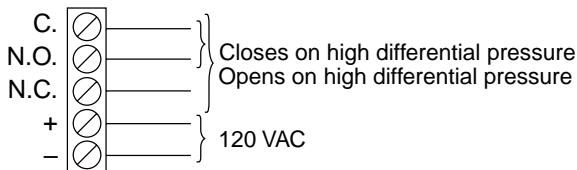
CAUTION: Conduit seal MUST be installed within code-required distance from DP switch to maintain explosionproof rating.

SPECIFICATIONS

Ambient 0° to 140°F (-18° to 60°C)
Burst pressure 10 psig (69 kPa)
Power supply 40 mA max @ 120 VAC
Switch SPDT, 10A @ 240 VAC/28 VDC
Connections 1/8" NPT

Diaphragm Buna-N
Classifications Class I, Division 1, Groups A, B, C, D
 Class II, Division 1, Groups E, F, G
Agency UL, FM, CSA
Weight 3.5 lb (1.6 kg)

WIRING / DIMENSIONS



ORDERING INFORMATION

MODEL	OPERATING RANGE		APPROXIMATE DEAD BAND "W.C. (Pa)	
	"W.C.	Pa	At Min Set Point	At Max Set Point
1950G-00	0.07-0.15	17.4-37.3	0.04 (10)	0.06 (14.9)
1950G-0	0.15-0.5	37.3-124.5	0.06 (14.9)	0.11 (27.4)
1950G-1	0.4-1.6	99.6-398.5	0.11 (27.4)	0.29 (72.2)
1950G-5	1.4-5.5	348.7-1370	0.4 (99.6)	0.9 (224)
1950G-10	3.0-11.0	747.2-2740	0.9 (224)	1.8 (448)
1950G-20	4.0-20	996-4981	1.2 (299)	3.0 (747)

Related Products

- EYM-50
- ACK-6F
- A-602
- 1/2" Sealing fitting for rigid conduit
- Sealing kit with fiber and cement
- Dual probe duct pressure sampling kit